

# LED Marker Tail Lamp

## Dorman Part No. EMT130/RW/02/01

- Dual aspect Red/White Marker Tail Lamp.
- High reliability LEDs.
- Dramatically reduces train maintenance and running costs.
- The unit can be easily fitted onto an existing bracket or adapted for any mounting on a vehicle.
- Increased safety and reliability.
- Available for supply voltages of 110V, 74V & 24V

## Lamp Specification

- Nominal current White aspect 900mA
- Nominal current Red aspect 40mA
- Rated to IP66
- Total weight 2.2kg
- Aluminium cast assembly
- Polycarbonate lens design
- Stainless steel fixings
- Breathing mechanism to reduce condensation
- RoHS compliant



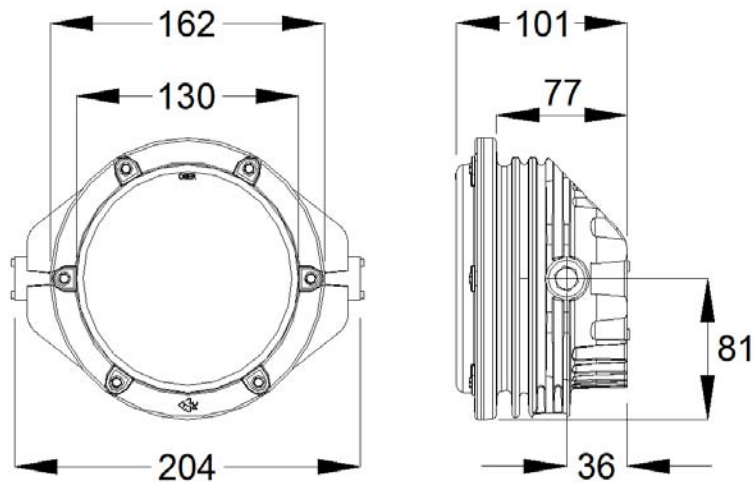
Fitted on the Alstom Lint Train

---

**In accordance with:**

- UIC 532 Freight wagons and passenger coaches; signal supports; passenger coaches; fixed electrical signals.
- UIC 534 Signals and signal supports of locomotives, motor units and multiple units.
- DIN 6163-4 Colours and colour limits for signal lights; railway signal lights.
- EN 50121-3-2 Railway applications - electromagnetic compatibility rolling stock - apparatus.
- EN 50125-1 Environmental conditions of equipment - equipment on board rolling stock.
- EN 50153 Railway applications - rolling stock - protective provisions relating to electrical hazards
- EN 50155 Electronic equipment on rail vehicles

**General dimensions**



All dimensions in mm

CE  
89/336/EEC

Available from:

**Dorman**, Rufford Road, Crossens, Southport, Merseyside, PR9 8LA, UK

T +44 (0) 1704 220911

F +44 (0) 1704 232221

**DORMAN**

**UNIPART**  
RAIL