



Prototype LED Wayside Signal Modules

Innovation in LED Signalling Technology



LED light sources provide a long and predictable life giving huge benefits to railway operators.

Unipart Dorman's Wayside Signal Module is the latest technological step forward for rail signalling systems.

Safety

The reliability of Unipart Dorman LED Wayside Signal Modules (WSM) is based upon design excellence developed over 25 years of supplying LED products into the UK railway sector.

Versatility

The WSM is designed to fit straight into existing housings without mechanical modification and the range is entirely compatible with all forms of interlocking and lamp proving systems.

Cost Effectiveness

LED technology will instantly reduce cost associated with maintenance and spares holding driven by virtually removing both pre-planned and reactive maintenance activity.

Construction

Low metal content reduces the scrap metal theft value. The front lens is highly resistant to vandal attack.

Benefits

Vandal resistant polycarbonate lens with Self Cleaning Properties

LED light sources give a long and predictable service life

Long, Intermediate and Medium Range Variants available

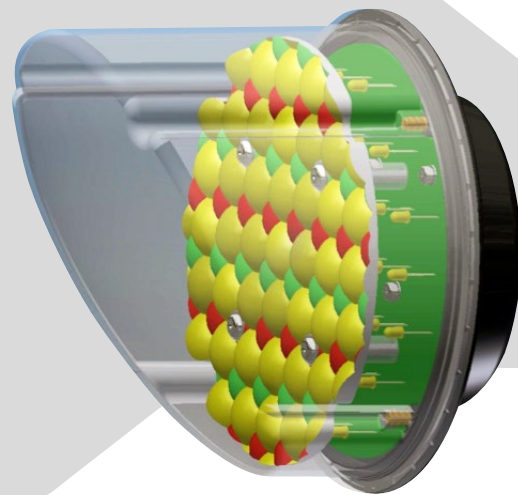
Reduced Phantom Incidence (Veiling Reflection) Free

Unaffected by variations in supply voltage

Whole life costs significantly reduced

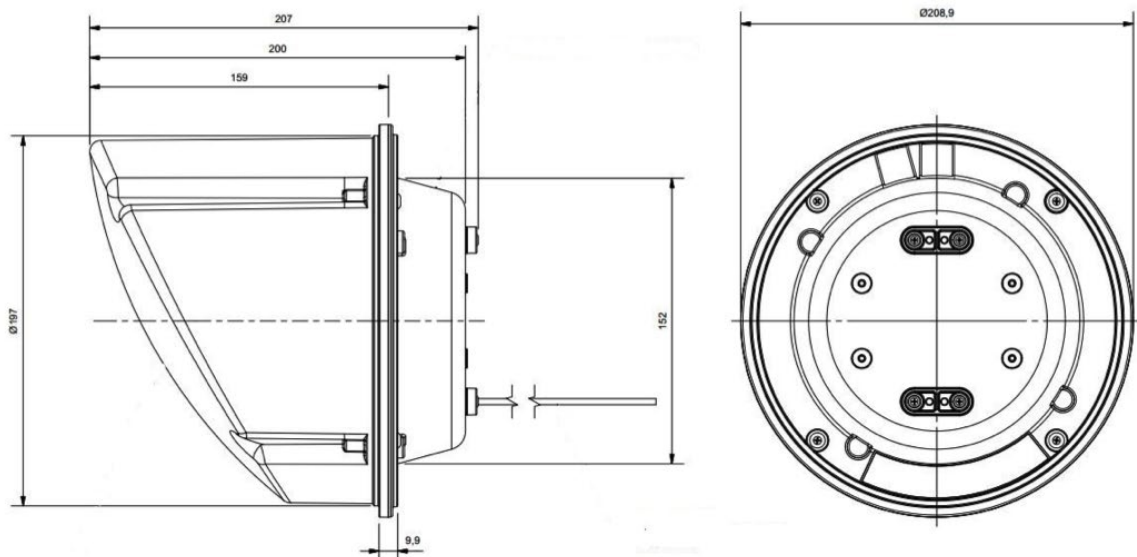
Significantly lower carbon footprint

Further developments using customer feedback pending



PARAMETER	UNIPART DORMAN PROTOTYPE WSM
Supply Voltage Range	85 - 135 Vac
Nominal Power - Red	91mA
Nominal Power - Yellow	86mA
Nominal Power - Green	62mA
Guaranteed Off Voltage (Signal to be black) - Red	25.6Vac
Guaranteed Off Voltage (Signal to be black) - Yellow	26.6Vac
Guaranteed Off Voltage (Signal to be black) - Green	34.2Vac
Surge Protection (Applied for 80 mS)	>4000V 1.2/50uS Surge
EMC	The WSM is Emissions Benign
Vibration Resistance	AAR Section II Class B (Min)
Operating Temperature	-40 to +70° C
Ingress Protection	TBD (but not less than IP65)
Module Diameter	210mm
Lens Diameter	195mm
Depth	203mm
MTBF @ 45° C	TBD

COLOUR	UNIPART DORMAN PROTOTYPE WSM	OUTPUT (Cd)
Red Wavelength (nm)	630-632	3700
Yellow Wavelength (nm)	589.5 – 592	3200
Green Wavelength (nm)	476	2900



About Unipart

The Unipart Group is a leading UK manufacturer, full service logistics provider and consultant in operational excellence. Operating across a range of market sectors, including automotive, manufacturing, mobile telecoms, rail, retail and technology, Unipart offers a breadth of services to a wide range of blue chip clients internationally.

Unipart Rail

111-113 Newton Road
Wetherill Park NSW 2164

Tel: +61 (0) 2 8787 5910

Fax: +61 (0) 2 8787 5951

email: enquiries@unipartrail.com.au



Visit www.unipartrail.com for details
of our Worldwide Regional Offices